



Food Preparation Machines  
Made in Sweden



## Vegetable Preparation Machine RG-50S

- Slices, grates/shreds, cuts julienne and crimping slices.
- Processes fruit, vegetables, dry bread, cheese, nuts, mushrooms, etc.
- Table top machine made for smaller kitchens.
- Processes up to 80 portions/day and 2 kg/minute.



Vegetable  
Preparation Machine

# RG-50S



### Ergonomics in all stages

The RG-50S is the most compact vegetable preparation machine from HALLDE. It is developed to suite smaller kitchens and the compact design makes RG-50S easy to put away and bring back when needed. The machine is a table top and can be used directly on the kitchen workbench. RG-50S pusher plate is swung up in a bow shape angle. This together with the low height makes for a better working posture.

### Safe and quick top ups

Thanks to the automatic start and stop function the machine stops as soon as the pusher plate is swung up. When it is swung back the machine restarts and you can continue working. A clear advantage, particularly when larger volumes are involved.

### Double safety against unprotected blades

If the feed cylinder is removed the power is cut. Thanks to this double security there is no risk of the machine starting with an unprotected blade.

### Developed for the best hygiene

The RG-50S is manufactured solely from hygiene certified material. The machine has smooth surfaces, rounded edges and has no unnecessary recesses where food might penetrate and get stuck.

### Easy cleaning

For quick cleaning, all loose parts are simple to remove for easy rinsing of the machine. The feed cylinder is removable and can be washed in a dishwasher.

### Only the best material

The machine base is made of robust ABS plastic, the feed cylinder and pusher plate are made of strong polycarbonate. Only top quality stainless steel is used to manufacture the cutting tool knife blades.

### Lightweight and easy to move

The small size of the machine gives several advantages. It does not take up a lot of space in the kitchen. And it is easy to move, something which is helped by the generously sized handles on the sides.



### Highest possible reliability

The powerful motor is geared down and has a high torque, which makes the RG-50S exceptionally reliable – irrespective of the foods you are working with. If the motor is called on to work harder, more power is supplied to ensure even running.

### Cutting tools with complete register

Our wide range of cutting tools means the RG-50S can handle every conceivable task. You choose the cutting tool you need to improve efficiency throughout the kitchen. The RG-50S slices, grates/shreds, cuts juliennes and crimping slices – everything from firm to soft products.

### Always perfect cutting results

The rotation speed of the cutting tools is optimized for cutting fine and even slices as efficiently as possible. The blades are purposely sharpened to avoid inertia or the edge breaking off.



### Accessories



2-pack Cutting Tools



4-pack Cutting Tools



Wall rack



Cleaning brush Small/Large

# High quality cutting tools for best results

All cutting tools are dishwasher safe. \* = Stainless steel



## Slicer \*

1, 2, 4, 6

\* 0.5, 1.5, 3, 5, 7, 8, 9, 10, 15 mm.

Slices firm and soft vegetables, fruits, mushrooms etc.

Dices when combined with a suitable Dicing Grid.

Cut French fries in combination with Potato Chip Grid.



## Crimping Slicer \*

4 mm.

\* 2, 3, 5, 6 mm.

Cuts decorative rippled slices of beetroot, cucumber, carrots, etc.



## Julienne Cutter \*

2x2, 4x4 mm.

\* 2x6, 3x3 mm.

Cuts julienne of firm products for soups, salads, stews, decorations etc.

Suitable to cut slightly curved French fries.



## Grater/Shredder \*

2, 4, 6 mm.

\* 1.5, 3, 4.5, 8, 10 mm.

Grates carrots and cabbage for raw salads. Grates nuts, almonds and dry bread.

Grater 6 or 8 mm is commonly used for grating cheese for pizza and when shredding cabbage.



## \* Fine Grater

For finely grating products, from hard/dry cheeses, raw potatoes for Swedish potato pancakes and bread for making breadcrumbs.



## \* Hard Cheese Grater

Ideal for grating hard cheese such as parmesan. Produces a somewhat coarser grate than the Fine Grater, Extra fine.



## \* Fine Grater, Extra Fine

Grates products very finely, such as black radish grated for purée and potatoes for mashing.



\* These dimensions are available for RG-100 and fit in RG-50S.



Take a look at the results- and inspiration videos at our homepage, [hallde.com](http://hallde.com) ►





## Vegetable Preparation Machine RG-50S

- Large half-moon shaped feed cylinder that can take most items whole.
- Compact table top model that takes up little space but is in spite of its size a very flexible machine. RG-50S can do what HALLDE's larger machines do with the same good quality.
- Easy piling of tomatoes, onions, bell peppers etc. for oriented slicing.
- Geared belt driven motor gives a high torque.
- One speed 500 rpm.
- 33 Cutting tools available.

### Machine

- Motor: 1.0 kW. One speed. 220-240 V, 1-phase, 50-60 Hz.
- Transmission: Toothed belt.
- Safety system: Two safety switches.
- Degree of protection machine: IP34.
- Power supply socket: Earthed, 1-phase, 10 A.
- Fuse: 10 A, delayed action fuse.
- Sound level LpA (EN31201): 76 dBA.
- Magnetic field: Less than 0.1 microtesla.

### Materials

- Machine base: ABS-plastic.
- Knife chamber: ABS-plastic.
- Feeder: Polycarbonate and polyamide.
- Ejector plate: Acetal.
- Cutting tool disks: Stainless steel.
- Cutting tool knives: Stainless steel.

### Feeder

- Feed cylinder: Volume 0.9 litre.  
Height 185 mm. Diameter 170 mm.
- Feed tube with internal diameter 53 mm.

### Cutting Tools

- Cutting tool diameter: 185 mm.
- Speed: 500 rpm (50 Hz).

### Type of preparation

- Slices, grates, shreds, cuts julienne and crimping slices.
- Processes vegetables, fruit, dry bread, cheese, nuts, mushrooms etc.

### Users

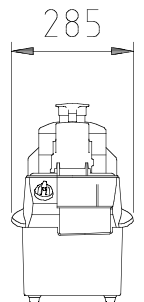
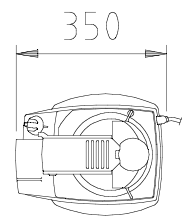
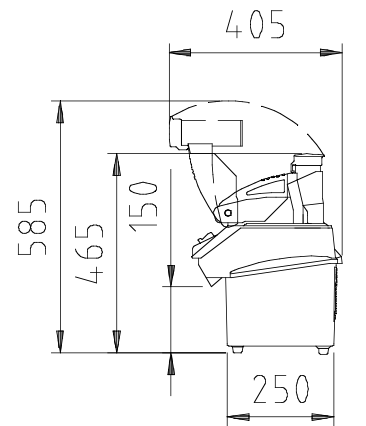
- Restaurants, shop kitchens, cafés, bakeries, diet kitchens, retirement homes, schools, fast food outlets, day care centres, salad bars, etc.

### Net weights

- Machine base: 7 kg.
- Cutting Tools: 0.3 kg.

### Standards

- Directive:  
Visit [Hallde.com](http://Hallde.com) and select product and Certification.



We reserve the rights to make changes in design and product range without notice



Food Preparation Machines  
Made in Sweden

AB Hallde Maskiner – P.O. Box 1165 SE-164 26 Kista Sweden  
• Phone: +46 8 587 730 00 • Fax: +46 8 587 730 30 • [hallde.com](http://hallde.com) • [info@hallde.com](mailto:info@hallde.com)



© AB Hallde Maskiner