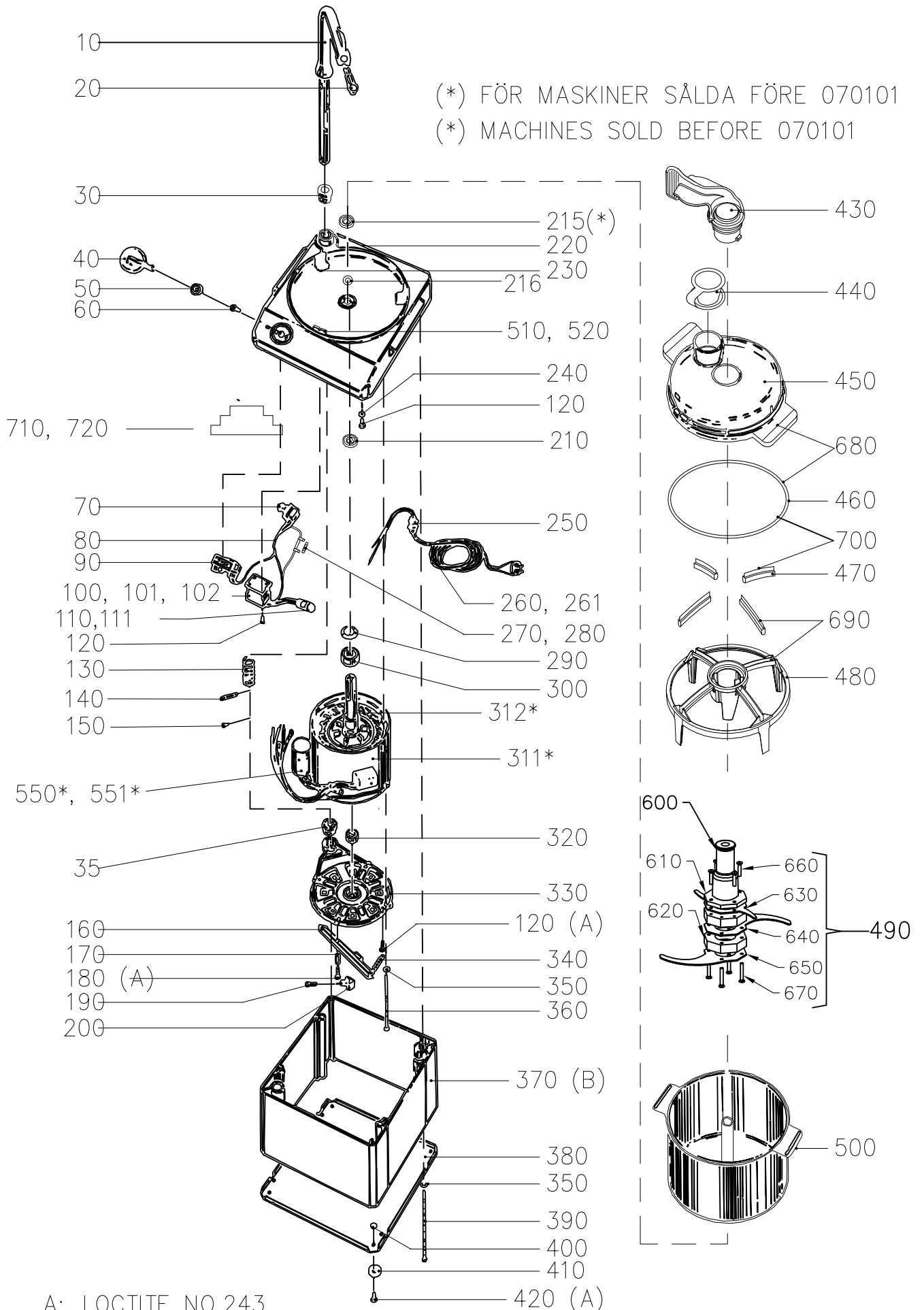


# VCB-61 / VCB-62



A: LOCTITE NO.243

B: SILICONE RTV 108 ALL THE WAY AROUND HOUSING

## VCB-61

No. on drawing	Item No.	Description	Pcs
10	22133	Safety arm	1
20	22068	Magnetic switch HM-17	1
30	22486	Bushing, safety arm, upper	1
35	22064	Bushing, safety arm	1
40	22091	Twist knob pulse 0-I	1
50	10384	Seal washer V-10A	1
60	14131	Screw MFX-H M4X16	2
70	15769	Safety micro switch	1
80	22085	Wire harness AWG compl.	1
90	15468	Selecting switch CA20, US	1
100	15822	Contactactor BF2510A110	1
101	15820	Contactactor BF0910A230	1
110	15132	RC-circuit B3-110 110v	1
111	15110	RC-circuit 230v	1
120	14332	Screw,met, M4 X0.7 X 10MM	5
130	22456	Pressure spring	1
140	22493	Pin	1
150	14771	Screw RXK-H ST 4,2X9,5 FZB	1
160	22150	Brake device	1
170	22063	Sleeve	2
180	14337	Screw MRX-H M4X25 A2 70	1
190	14754	Screw RX-TP 6-19X20 FZB	1
200	22046	Cam knob	1
210	10451	Sealwash 20X30X5 TRA200200	1
215	10450	Seal washer BAUD2SL 25X35X7	1
216	10262	Seal ring V-18S	1
220	22231	Top cover compl.	1
230	22488	Buffer	3
240	14084	Lock washer FBB 4.1 A2	3
250	15381	Cable ret PR 22.5 dia 15	1
260	15147	Supply cord CB 1 phase RG-100/200/250/350/VCB-61/VCM-41	1
261	22203	Supply cord AWG 12 1 PHA 110 v	1
270	15384	Fuse T100MA	1
280	15385	Fuse holder	1
290	10373	Pre load washer 46X38X0,4	1
300	10420	Ball bearing 6005-2RS1	1
311	*	Stator VCM-41/VCB-61 220-240 1 50/60	1
312	*	Rotor VCB/HCM-61 1100W 1500RPM	1
320	10255	Ball bearing 6203-2RS	1
330	22215	Motor shield Leroy H50	1
340	22457	Draw spring	1
350	14085	Lock washer FBB 5,1 A2	8
360	22143	Screw, motor M5X192	4
370	22136	Machine housing compl.	1
380	22138	Protection plate	1
390	22054	Screw, housing M5X175	4
400	14004	Nut M6M M4 A2 70	4
410	10494	Rubber foot F-107 B	4
420	14424	Screw LSKS M4X12 A2 70	4
430	22472	Scraper handle	1
440	22446	Plug, rubber	1
450	22435	Lid	1
460	22438	Seal, lid	1
470	22439	Scraper blade	4
480	22436	Scraper	1
490	22502	Cutting knife aluminium	1

\* Contact HALLDE for more information when ordering (supply your serial number).

## VCB-61

No. on drawing	Item No.	Description	Pcs
500	22451	Bowl 6L	1
510	22487	Rotary stop	1
520	14604	Screw MFT-TT A2 M3X16	2
530	*	Starting relay, 2000V	1
550	*	Kondensator	1
551	*	Run capacitor 15 MF 230vKP8396	1
600	22504	Knife head	1
610	22505	Knife support	1
620	22506	Spacer	1
630	22507	Knife, turning	1
640	22508	Knife, serrated, middle	1
650	22509	Knife, serrated, low	1
660	14152	Screw MFS M5X25	4
670	14154	Screw MFS M5X35	4
680	22494	Lid incl. seal ring	1
690	22495	Scraper incl. wiper blades	1
700	22496	Wiper blades and seal ring	1
710	22691	Kit time relay	1

\* Contact HALLDE for more information when ordering (supply your serial number).

## VCB-62

No. on drawing	Item No.	Description	Pcs
10	22133	Safety arm	1
20	22068	Magnetic switch HM-17	1
30	22486	Bushing, safety arm, upper	1
35	22064	Bushing, safety arm	1
40	22092	Twist knob pulse 0-I-II	1
50	10384	Seal washer V-10A	1
60	14131	Screw MFX-H M4X16	2
70	15769	Safety micro switch	1
80	22187	Wire harness AWG 3 phase	1
90	15467	Selecting switch CA10, US	1
101	15810	Contactactor 11BG0610A230	1
102	15818	Contactactor 11BG0610A400	1
110	15110	RC-circuit 230v	1
120	14332	Screw,met, M4 X0.7 X 10MM	5
130	22456	Pressure spring	1
140	22493	Pin	1
150	14771	Screw RXK-H ST 4,2X9,5 FZB	1
160	22150	Brake device	1
170	22063	Sleeve	2
180	14337	Screw MRX-H M4X25 A2 70	2
190	14754	Screw RX-TP 6-19X20 FZB	1
200	22046	Cam knob	1
210	10451	Sealwash 20X30X5 TRA200200	1
215	10450	Seal washer BAUD2SL 25X35X7	1
216	10262	Seal ring V-18S	1
220	22231	Top cover compl.	1
230	22488	Buffer	3
240	14084	Lock washer FBB 4.1 A2	3
250	15381	Cable ret PR 22.5 dia 15	1
260	15142	Supply cord CB 3 phse	1

## VCB-62

No. on drawing	Item No.	Description	Pcs
270	15384	Fuse T100MA	1
280	15385	Fuse holder	1
290	10373	Pre load washer 46X38X0,4	1
300	10420	Ball bearing 6005-2RS1	1
311	*	Stator VCM62 380-415 3 50/60	1
312	*	Rotor VCB-62 1500/900W	1
320	10255	Ball bearing 6203-2RS	1
330	22215	Motor shield Leroy H50	1
340	22457	Draw spring	1
350	14085	Lock washer FBB 5,1 A2	8
360	22143	Screw, motor M5X192	4
370	22136	Machine housing compl.	1
380	22138	Protection plate	1
390	22142	Screw, housing M5X197	4
400	14004	Nut M6M M4 A2 70	4
410	10494	Rubber foot F-107 B	4
420	14424	Screw LSKS M4X12 A2 70	4
430	22472	Scraper handle	1
440	22446	Plug, rubber	1
450	22435	Lid	1
460	22438	Seal, lid	1
470	22439	Scraper blade	4
480	22436	Scraper	1
490	22502	Cutting knife aluminium	1
500	22451	Bowl 6L	1
510	22487	Rotary stop	1
520	14604	Screw MFT-TT A2 M3X16	2
600	22504	Knife head	1
610	22505	Knife support	1
620	22506	Spacer	1
630	22507	Knife, turning	1
640	22508	Knife, serrated, middle	1
650	22509	Knife, serrated, low	1
660	14152	Screw MFS M5X25	4
670	14154	Screw MFS M5X35	4
680	22494	Lid incl. seal ring	1
690	22495	Scraper incl. wiper blades	1
700	22496	Wiper blades and seal ring	1
720	22692	Kit time relay	1

*\* Contact HALLDE for more information when ordering (supply your serial number).*