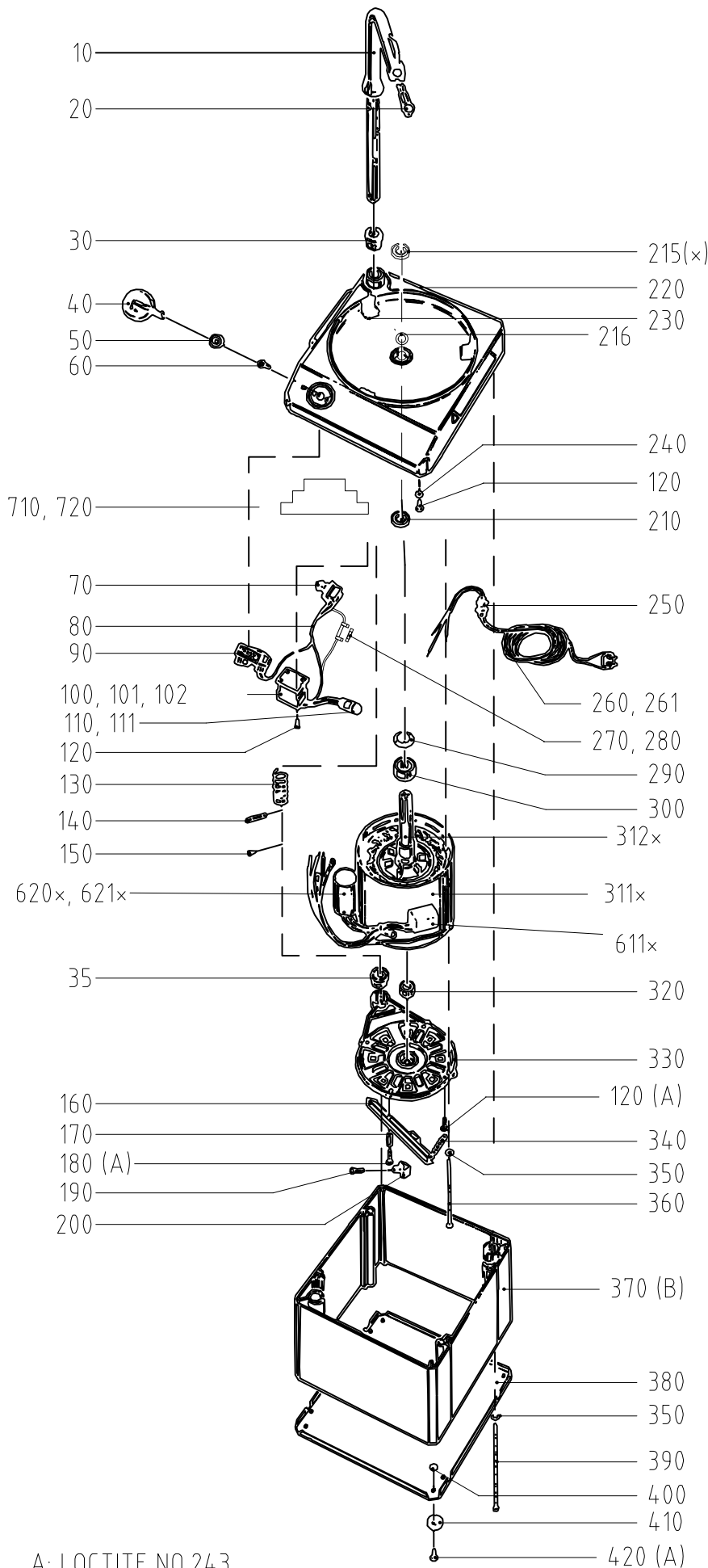
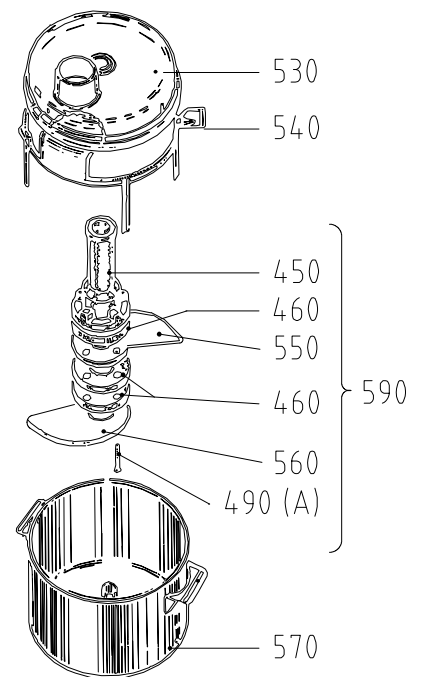


# VCM-41/42



(x) MASKINER SÅLDA  
FÖRE 070101  
MACHINES SLD BEFORE 070101

4 L BOWL FOR VCM-41/42  
4 L KÄRL FÖR VCM-41/42



A: LOCTITE NO.243  
B: SILICONE RTV 108 ALL THE WAY AROUND HOUSING

## VCM-41

No. on drawing	Item No.	Description	Pcs
10	22034	Safety arm	1
20	22068	Magnetic switch HM-17	1
30	22486	Bushing, safety arm, upper	1
35	22064	Bushing, safety arm	1
40	22091	Twist knob pulse 0-I	1
50	10384	Seal washer V-10A	1
60	14131	Screw MFX-H M4X16	2
70	15769	Safety micro switch	1
80	22085	Wire harness AWG compl.	1
90	15468	Selecting switch CA20, US	1
100	15815	Contactora BF1210A110	1
102	15810	Contactora 11BG0610A230	2
110	15132	RC-circuit B3-110 110v	1
111	15110	RC-circuit 230v	1
120	14332	Screw,met, M4 X0.7 X 10MM	5
130	22062	Spring, pressure	1
140	22493	Pin	1
150	14771	Screw RXK-H ST 4,2X9,5 FZB	1
160	22071	Brake device L=165	1
170	22063	Sleeve	1
180	14337	Screw MRX-H M4X25 A2 70	2
190	14754	Screw RX-TP 6-19X20 FZB	1
200	22046	Cam knob	1
210	10451	Sealwash 20X30X5 TRA200200	1
215	10450	Seal washer BAUD2SL 25X35X7	1
216	10262	Seal ring V-18S	1
220	22216	Top cover VCM-41/42	1
230	22043	Buffer	3
240	14084	Lock washer FBB 4.1 A2	3
250	15636	Cable retainer PR 15,2 metal	1
260	15147	Supply cord CB 1 phase RG-100/200/250/350/CB-61/VCM-41	1
261	15208	Supply cord SJT3X14 AWG, US	1
270	15384	Fuse T100MA	1
280	15385	Fuse holder	1
290	10373	Pre load washer 46X38X0,4	1
300	10420	Ball bearing 6005-2RS1	1
311	*	Stator VCM-41 110-120 1 60	1
312	*	Rotor VCM/FP41 550W	1
320	10421	Ball bearing 6003-2RS	1
330	22220	Motor shield	1
340	22457	Draw spring	1
350	14085	Lock washer FBB 5,1 A2	8
360	22055	Screw, motor M5X156	4
370	22040	Machine housing compl.	1
380	22042	Protection plate	1
390	22054	Screw, housing M5X175	4
400	14004	Nut M6M M4 A2 70	4
410	10494	Rubber foot F-107 B	4
420	14424	Screw LSKS M4X12 A2 70	4
450	22060	Knife head	1
460	22067	Spacer, knife	3
490	14154	Screw MFS M5X35	4
530	22426	Lid for bowl, PSU-4L	1
540	22427	Scraper for bowl PSU 4L	1
550	22391	Knife-upper, serrated-4L	1
560	22392	Knife-lower, serrated	1

\* Contact HALLDE for more information when ordering (supply your serial number).

## VCM-41

No. on drawing	Item No.	Description	Pcs
570	22053	Bowl 4L	1
590	22390	Standard knife for bowl 4L	1
611	*	Starting relay, klixon, 230v	1
620	*	Start capacitor 350 MF 120v	1
621	*	Run capacitor 50 MF 120v	1
710	22691	Kit time relay	1

\* Contact HALLDE for more information when ordering (supply your serial number).

## VCM-42

No. on drawing	Item No.	Description	Pcs
10	22034	Safety arm	1
20	22068	Magnetic switch HM-17	1
30	22486	Bushing, safety arm, upper	1
35	22064	Bushing, safety arm	1
40	22092	Twist knob pulse 0-I-II	1
50	10384	Seal washer V-10A	1
60	14131	Screw MFX-H M4X16	2
70	15769	Safety micro switch	1
80	22187	Wire harness AWG 3 phase	1
90	15467	Selecting switch CA10, US	1
101	15810	Contactora 11BG0610A230	2
102	15818	Contactora 11BG0610A400	2
110	15110	RC-circuit 230v	1
120	14332	Screw,met, M4 X0.7 X 10MM	5
130	22062	Spring, pressure	1
140	22493	Pin	1
150	14771	Screw RXK-H ST 4,2X9,5 FZB	1
160	22071	Brake device L=165	1
170	22063	Sleeve	1
180	14337	Screw MRX-H M4X25 A2 70	2
190	14754	Screw RX-TP 6-19X20 FZB	1
200	22046	Cam knob	1
210	10451	Sealwash 20X30X5 TRA200200	1
215	10450	Seal washer BAUD2SL 25X35X7	1
216	10262	Seal ring V-18S	1
220	22216	Top cover VCM-41/42	1
230	22043	Buffer	3
240	14084	Lock washer FBB 4.1 A2	3
250	15623	Cable ret. PR 18,5 metal dia12	1
260	15143	Supply cord CB 3 phse	1
270	15384	Fuse T100MA	1
280	15385	Fuse holder	1
290	10373	Pre load washer 46X38X0,4	1
300	10420	Ball bearing 6005-2RS1	1
311	*	Stator VCM-42 380-415 3 50/60	1
312	*	Rotor VCM-42 3-phase	1
320	10421	Ball bearing 6003-2RS	1
330	22220	Motor shield	1
340	22457	Draw spring	1
350	14085	Lock washer FBB 5,1 A2	8
360	22055	Screw, motor M5X156	4

\* Contact HALLDE for more information when ordering (supply your serial number).

## VCM-42

No. on drawing	Item No.	Description	Pcs
370	22040	Machine housing compl.	1
380	22042	Protection plate	1
390	22054	Screw, housing M5X175	4
400	14004	Nut M6M M4 A2 70	4
410	10494	Rubber foot F-107 B	4
420	14424	Screw LSKS M4X12 A2 70	4
450	22060	Knife head	1
460	22067	Spacer, knife	3
490	14154	Screw MFS M5X35	4
530	22426	Lid for bowl, PSU-4L	1
540	22427	Scraper for bowl PSU 4L	1
550	22391	Knife-upper, serrated-4L	1
560	22392	Knife-lower, serrated	1
570	22053	Bowl 4L	1
590	22390	Standard knife for bowl 4L	1
720	22692	Kit time relay	1