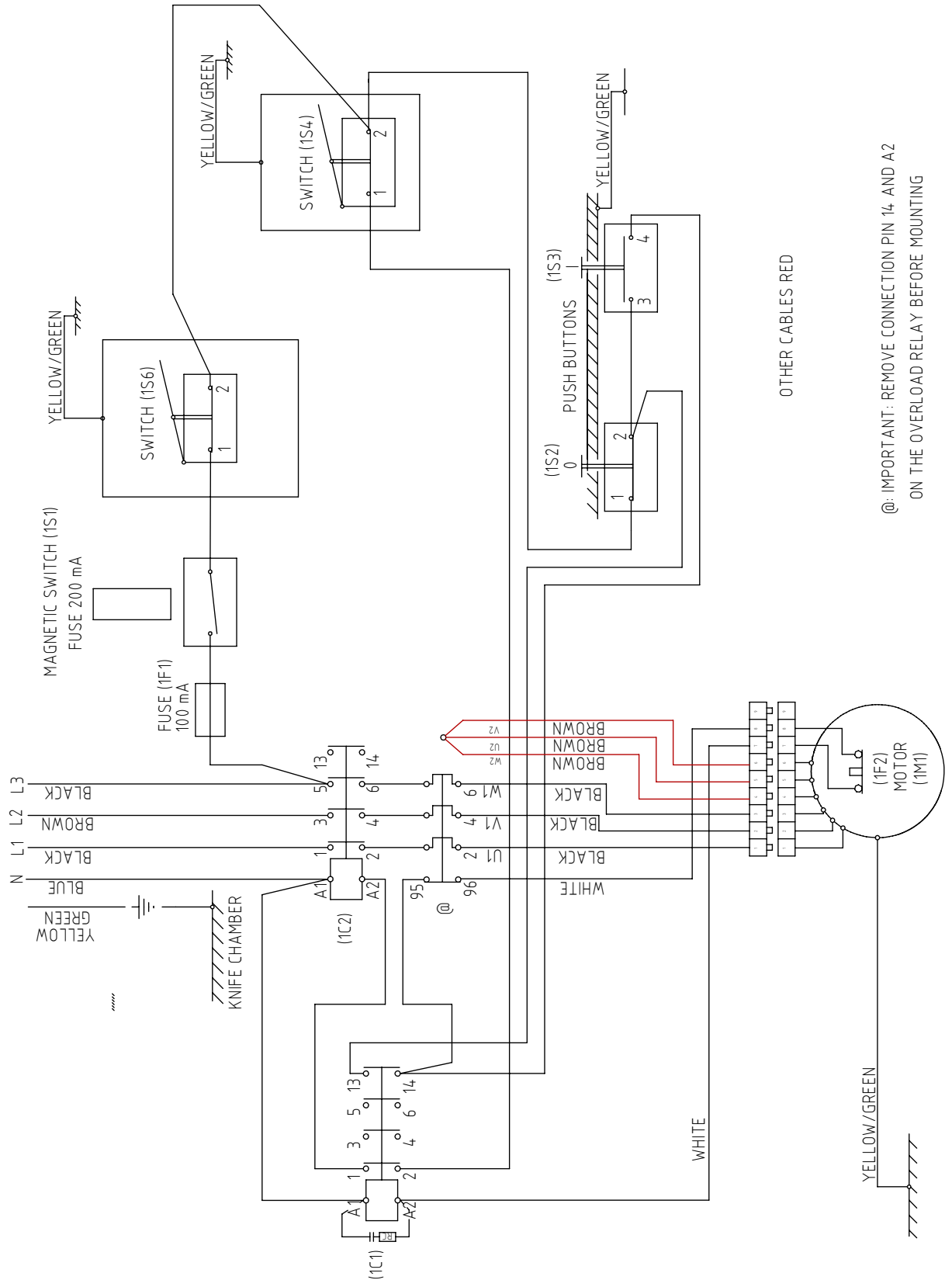
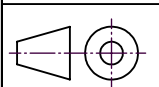


This document is our property. It must not be copied and its contents must not be imparted to third persons without our written permission. Infringement of the above will be prosecuted.



OTHER CABLES RED

@ IMPORTANT: REMOVE CONNECTION PIN 14 AND A2 ON THE OVERLOAD RELAY BEFORE MOUNTING



When not specified machined surface

Tolerance

Smoothness

Material

Surface treatment

Design. TF

Dwn by

Appr. for preseries

Appr. for produc.

HA

Heat treatment

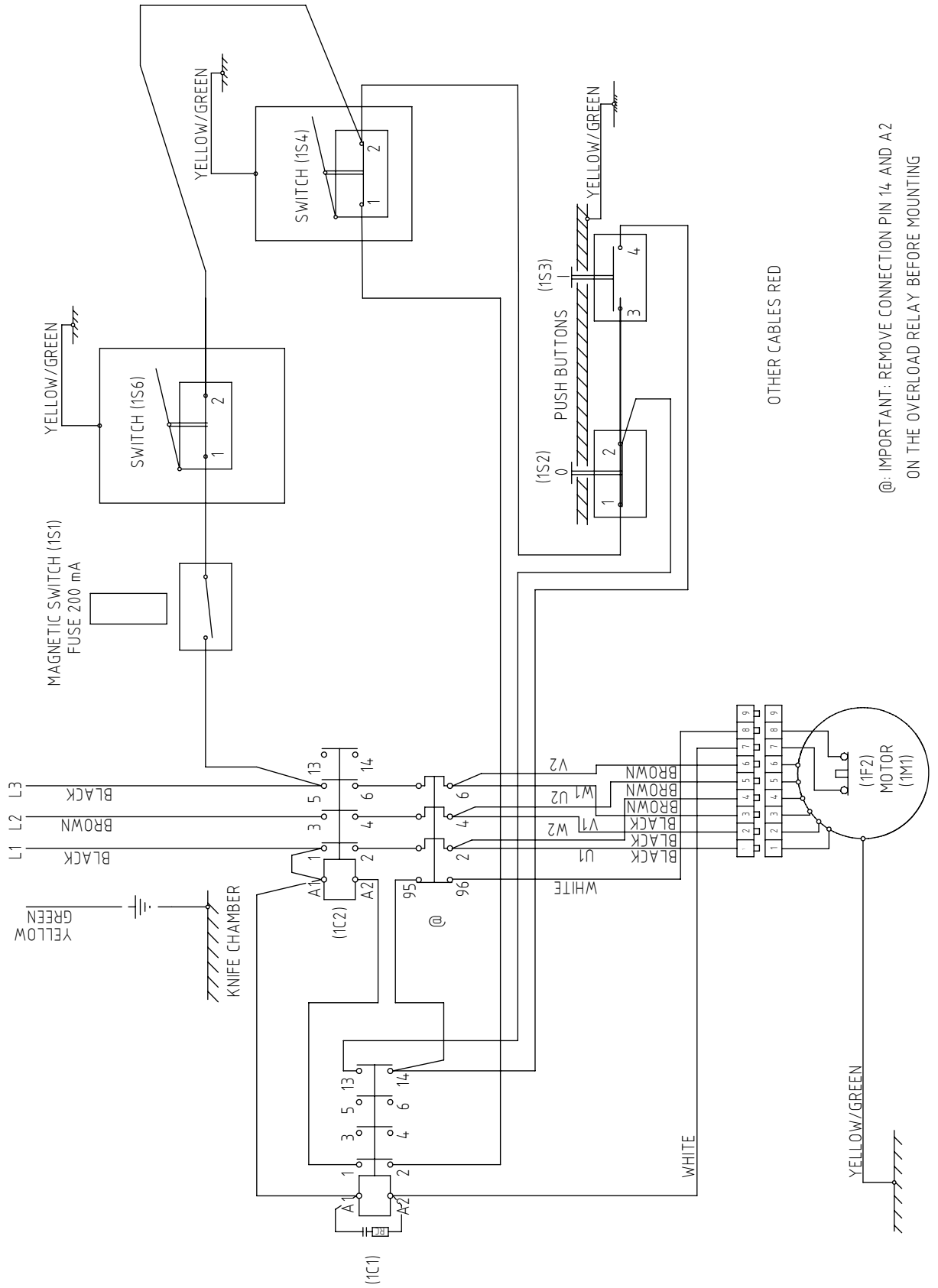
**HALLDE**

RG-300i ELECTR. DIAGRAM  
380-415 3 50 W. NEUTRAL WIRE

Date 181129

Drawing no. 47201A

This document is our property. It must not be copied and its contents must not be imparted to third persons without our written permission. Infringement of the above will be prosecuted.



@: IMPORTANT: REMOVE CONNECTION PIN 14 AND A2 ON THE OVERLOAD RELAY BEFORE MOUNTING

	When not specified machined surface		Tolerance	Material
			Smoothness	Surface treatment
Design.	Dwn by	Appr. for preseries	Appr. for produc.	Heat treatment
				Date
				Drawing no. <b>47203A</b>
<b>RG-300i ELECTR. DIAGRAM UL</b> 208-240 3 50/60 W/O NEUTRAL WIRE				